

Modifixxer - Installation instructions and maintenance

• Installation of your Modifixxer DH

Before assembling your Modifixxer DH, please make sure your package contains all your Modifixxer parts.

Your Modifixxer DH package comes with following parts:

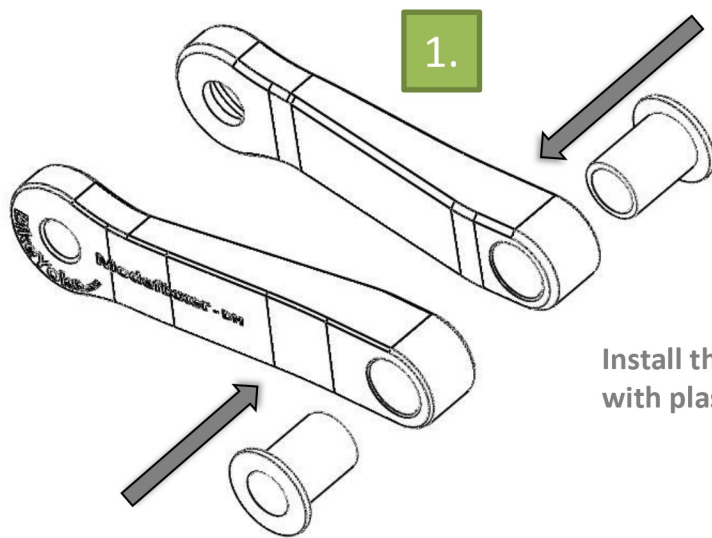
Modifixxer DH

- 2x Modifixxer arms
- 2x Modifixxer bushings
- 1x distance sleeve

Preparation

- Remove your original Shapeshifter gas spring from your bike. To remove it properly, please follow the instructions, in the following link, if you are uncertain, how to do:

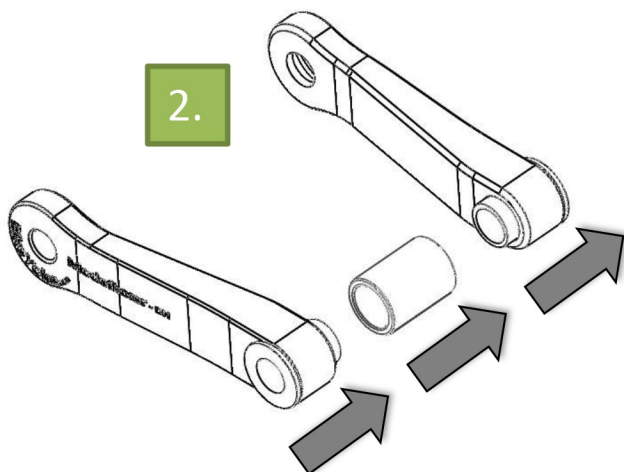
<https://www.youtube.com/watch?v=9GhPBp3zC6M>



Install the bushings into the Modifixxer body. Use a proper tool (e.g. a vice with plastic clamps) and do not damage the bushings or the bushing seat.

Modifixxer - Installation instructions and maintenance

- Installation of your Modifixxer DH



Push the right Modifixxer arm, the distance sleeve and the right Modifixxer arm onto the 8mm axle located in the rockarm.

Please note: Unlike the original gas spring the Modifixxer does not need to rotate and the bushings have a tighter fit on the axle to avoid any radial play. The Modifixxer might be harder to slide onto the axle than your gas spring.

Follow the instructions in the video to complete the rockarm reassembly.

<https://www.youtube.com/watch?v=9GhPBp3zC6M>

Well Done! Have fun riding with your new Modifixxer!

Modifixxer - Installation instructions and maintenance

- Maintenance of your Modifixxer DH

It is very important to check your Modifixxer DH for proper installation and tight fit, to make sure it can function properly:

Before every ride:

- Check your Modifixxer for tight fit. If there is any play in your suspension or at your Modifixxer you need to replace your bearings and/or bushings. Otherwise your parts will be suffering extraordinary wear and even cause damage to your bike and lead to crashes.

After every 10 hours of riding:

- Inspect your Modifixxer for any visible damage like cracks or scratches, or extraordinary wear
- Inspect the bearings of your rear suspension and replace them if there is any play. Increased bearing or bushing play in your rear suspension can result in damage to your Modifixxer.

Before and during riding, always remember:

Safety first!!!

Check and make sure your Modifixxer and your Bike are properly serviced and maintained!